

BLACKMER PARTS LIST
PUMP MODEL: HXL10E

967604

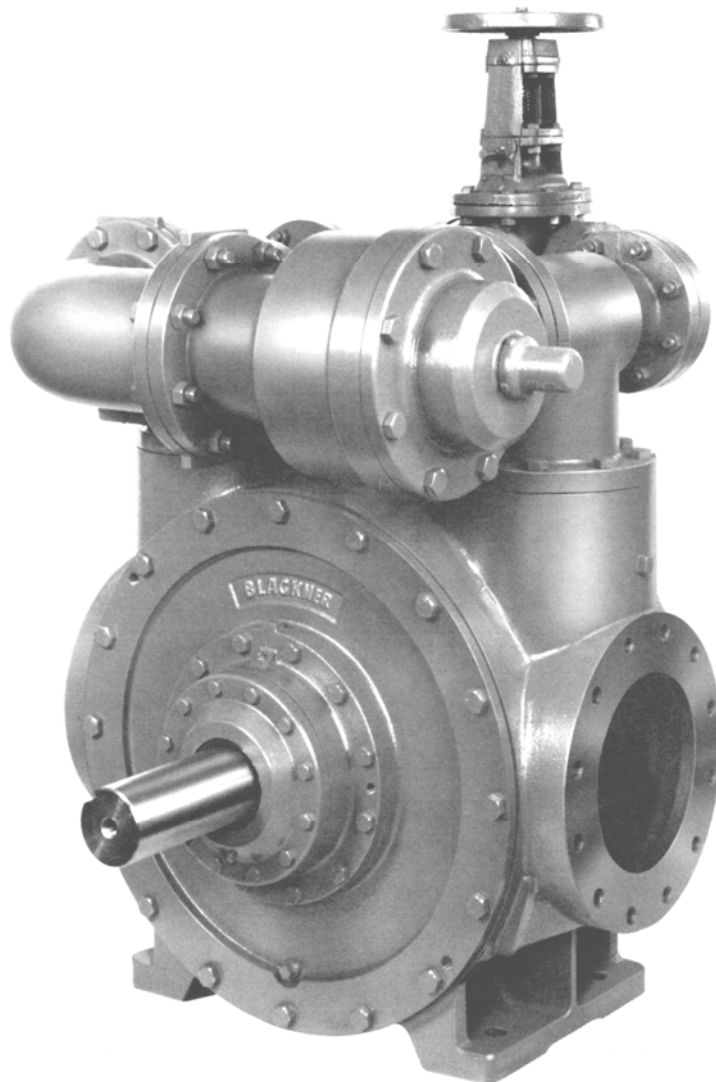
Page 1 of 4

PARTS LIST

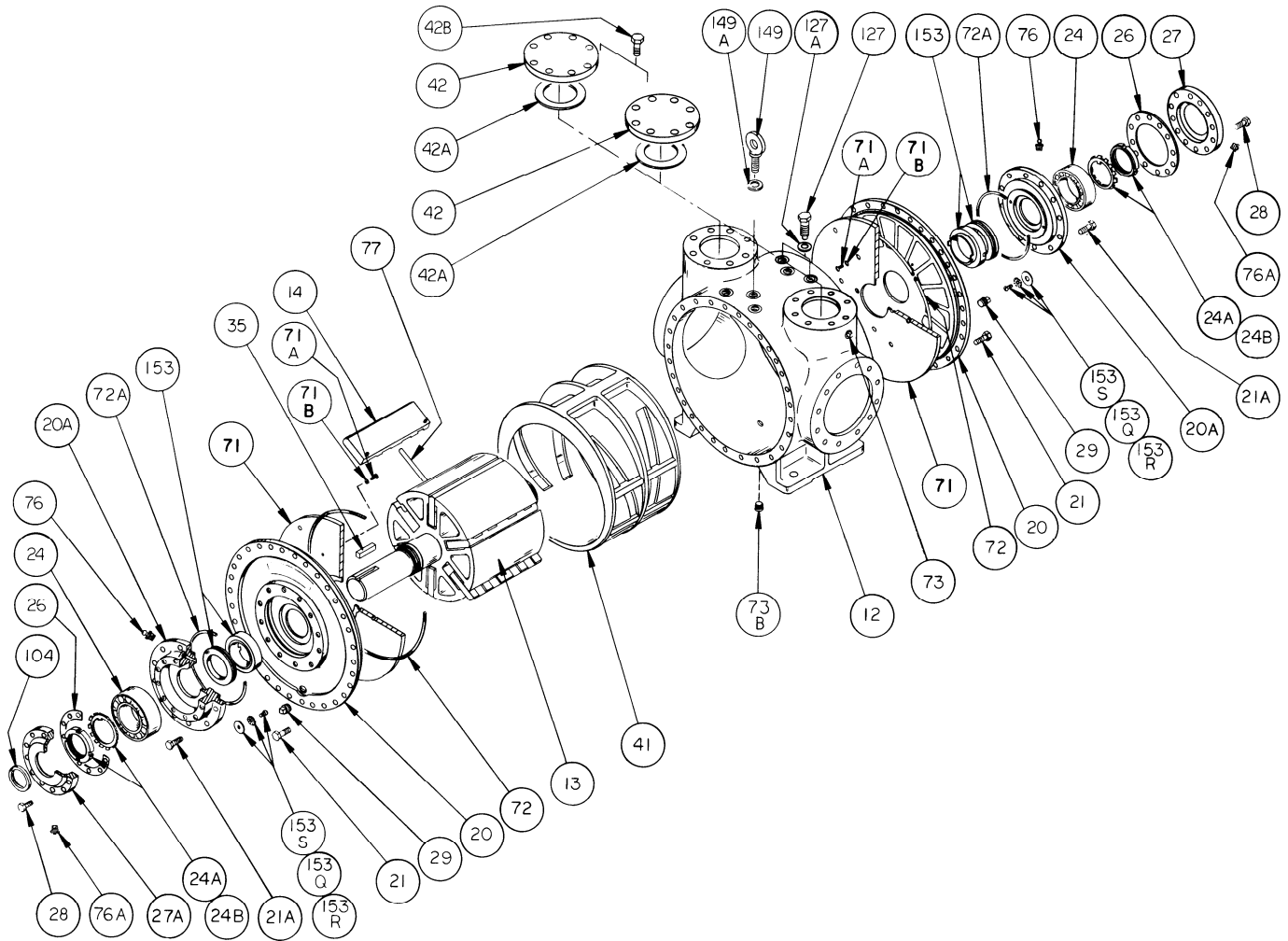
102-A04

See Instructions 102-A00 for Installation, Operation and Maintenance

Section	102
Effective	Mar 2013
Replaces	May 2010



Keep this parts list with Installation, Operation and Maintenance Instructions.



Ref. No.	Description	Parts per Pump	Part No.	Ref. No.	Description	Parts per Pump	Part No.
12	Casing	1	017601	42B	Capscrews - Blanking Flange / R/V	16	920780
13	FS Rotor & Shaft (w/ 24A & 24B) ³	1	² 287611	71	Disc	2	² 067660
	EC Rotor & Shaft (w/ 24A & 24B) ³		287615	71A	Retaining Screw - Disc	12	920200
14	Vane - EC Laminate	6	¹ 097626	71B	Lockwasher - Disc Retaining Screw	12	909643
	Vane - EC Bronze		097608	72	O-Ring - Head (FKM) (Std.)	2	¹ 711954
20	Head	2	037660	72A	O-Ring - Hub (FKM)	2	¹ 711953
20A	Hub	2	037661	73	Gage Plug	2	908235
21	Capscrews - Head	32	920781	73B	Drain Plug (3/4" NPT)	1	908223
21A	Capscrews - Hub	24	920640	76	Grease Fitting	2	317815
24	Bearing	2	¹ 903141	76A	Grease Relief Fitting	2	701992
24A	Locknut - Bearing	2	903538	77	Push Rods	3	¹ 127601
24B	Lockwasher - Bearing	2	¹ 903539	104	Grease Seal	1	331905
26	Gasket - Bearing Cover	2	¹ 387652	127	Retaining Screw - Liner	4	920792
27	Bearing Cover - Outboard	1	047607	127A	Static Seal - Liner Retaining Screw	4	387605
27A	Bearing Cover - Inboard	1	047605	149	Eyebolt	2	922601
28	Capscrews - Bearing Cover	24	920510	149A	Thread Seal - Eyebolt	2	387604
29	Drain Plug	2	908225	153Q	Retaining Screw - Seal	4	922764
35	Key - Shaft	1	909220	153R	Washer - Seal Retaining Screw	4	909627
41	Liner - Casing	1	² 187601	153S	Lockwasher - Seal Retaining Screw	4	909619
42	Blanking Flange	1 - 2	657879	—	Kit — Maintenance	—	898915
42A	Gasket - Blanking Flange / R/V	2	¹ 387511	—	Kit — Rebuild	—	899015

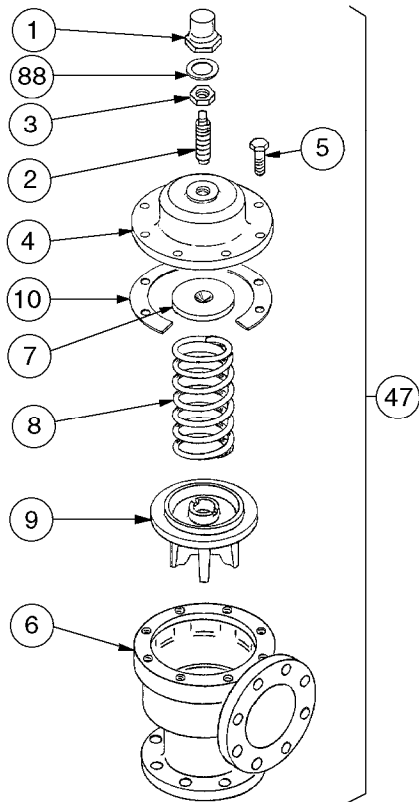
¹ Included in Maintenance Kit and Rebuild Kit

² Included in Rebuild Kit

³ Includes Locknuts and Lockwashers, ref. 24A & 24B.

FS = Full Size

EC = Extra Clearance



OPTIONAL EXTERNAL RELIEF VALVE ¹

Ref. No.	Part Name	Parts Per Pump	Part No.
1	Cap - Relief Valve (R/V)	1	417710
2	Adjusting Screw - R/V	1	437205
3	Locknut - Adjusting Screw	1	436655
4	Cover - R/V	1	417600
5	Capscrews - R/V Cover	8	920761
6	Body - R/V	1	407600
7	Spring Guide - R/V	1	427250
8	Spring - R/V (51-100 psi)	1	477251
	Spring - R/V (101-150 psi)		*
9	Valve - R/V	1	457250
10	Gasket - R/V Cover	1	537250
47	R/V Assembly - Complete	—	—
88	Gasket - R/V Cap	1	536652

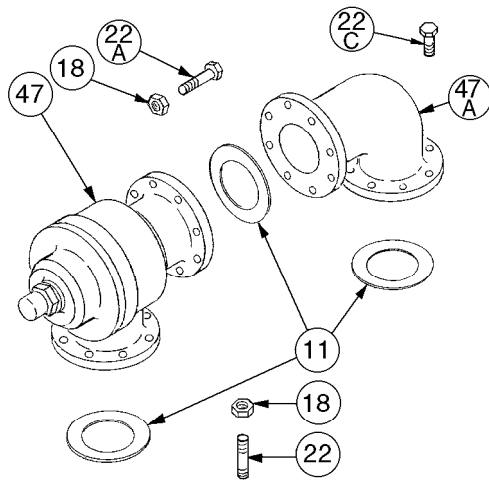
*Use Springs 477250 and 477251 nested together.

NOTES:

¹**Optional External Relief Valve** - relieves pressure back to source or upstream piping.

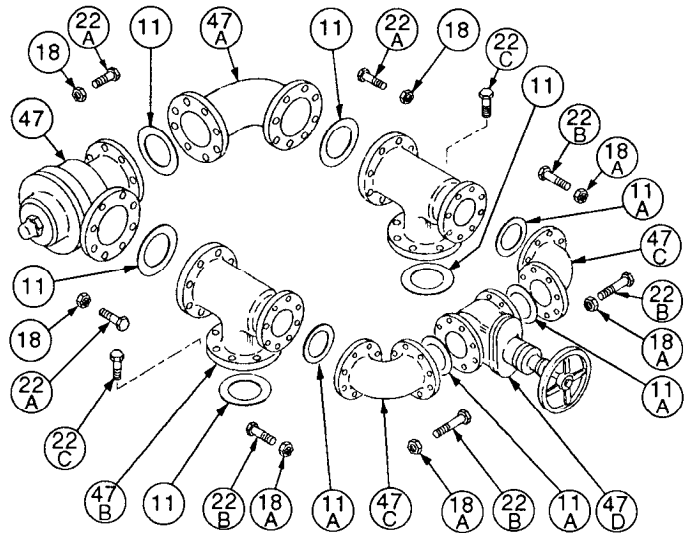
²**Optional Internal Relief Valve (typical design)** - relieves pressure back to pump inlet.

³**Optional Relief Valve / Manual Bypass** - Relief valve relieves pressure back to pump inlet; manual bypass valve, in parallel with relief valve, recirculates fluid back to suction to reduce flow and pressure.



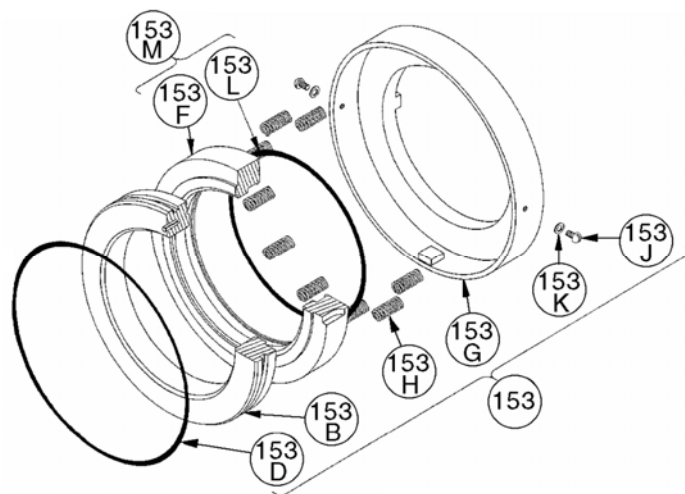
OPTIONAL INTERNAL RELIEF VALVE ²

Ref. No.	Part Name	Parts Per Pump	Part No.
11	Gasket - Flange / R/V	3	387511
18	Nut	10	922875
22	Stud	2	921649
22A	Capscrews	8	920811
22C	Capscrews	14	920780
47A	Elbow Flange	1	908677



OPTIONAL R/V - MANUAL BYPASS VALVE ASSEMBLY ³

Ref. No.	Part Name	Parts Per Pump	Part No.
11	Gasket - Flange	5	387511
11A	Gasket - Flange	4	386911
18	Nut	24	922875
18A	Nut	32	922865
22A	Capscrews	24	920819
22B	Capscrews	32	920720
22C	Capscrews	16	920780
47A	Elbow Flange	1	908677
47B	Reducing Tee	2	908678
47C	Elbow	2	908676
47D	Gate Valve	1	908067



MECHANICAL SEAL - STANDARD

Ref. No.	Part Name	Parts Per Pump	Part No.
153	Mechanical Seal Asy. (RVCV)	2	¹ 337665
153B	Stationary Seat (Ni-Resist)	2	337605
153D	O-Ring - Stationary (FKM)	2	711934
153F	Rotating Seal Face (Carbon)	2	337610
153G	Seal Jacket	2	337630
153H	Seal Springs	24	337716
153J	Screw - Seal Jacket	4	922740
153K	Lockwasher - Seal Jacket	4	909608
153L	O-Ring - Rotating (FKM)	2	711932

¹ Included in Maintenance Kit and Rebuild Kit

MECHANICAL SEAL - OPTIONAL

Ref. No.	Part Name	Parts Per Pump	Part No.
153	Mechanical Seal Asy. (RVBV)	2	337664
153B	Stationary Seat (Ni-Resist)	2	337605
153D	O-Ring - Stationary (FKM)	2	711934
153F	Rotating Seal Face (Bronze)	2	337612
153G	Seal Jacket	2	337630
153H	Seal Springs	24	337716
153J	Screw - Seal Jacket	4	922740
153K	Lockwasher - Seal Jacket	4	909608
153L	O-Ring - Rotating (FKM)	2	711932



1809 Century Avenue, Grand Rapids, Michigan 49503-1530, U.S.A.
 Telephone: (616) 241-1611 / Fax: (616) 241-3752
 E-Mail: blackmer@blackmer.com / Internet: www.blackmer.com