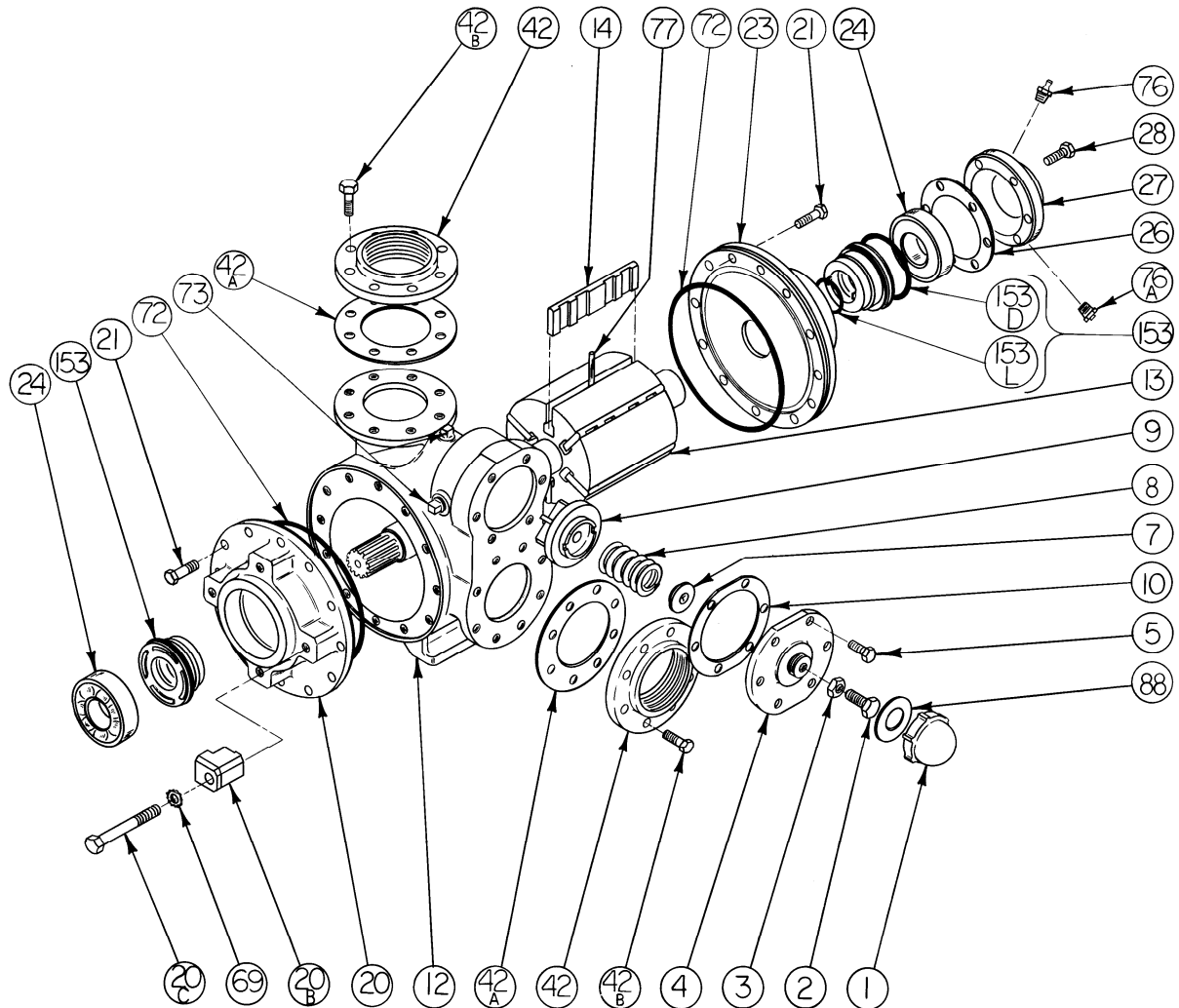


# BLACKMER PARTS LIST

## PUMP MODEL: GX4B

Section    101  
Effective   Feb 2014  
Replaces   Jan 2011

Keep with Instructions 101-B00 for Installation, Operation and Maintenance



Ref. No.	Description	Parts per Pump	Part No.	Ref. No.	Description	Parts per Pump	Part No.
1	Cap - Relief Valve (R/V)	1	413952	20C	Capscrews - Clamp	4	920720
2	Adjusting Screw - R/V	1	436307	21	Capscrews - Head	24	920510
3	Locknut - Adjusting Screw	1	436355	23	Head - Outboard	1	031908
4	Cover - R/V	1	411904	24	Ball Bearing	2	903182
5	Capscrew - R/V Cover	6	920351	26	Gasket - Bearing Cover	1	386950
7	Spring Guide - R/V	1	426355	27	Bearing Cover	1	041905
8	Spring - R/V (35-50 psi)	1	476303	28	Capscrews - Bearing Cover	6	920491
	Spring - R/V (51-75 psi)		476310	42	Flange - 4" NPT (Std.)*	2	651900
	Spring - R/V (76-110 & 111-125 psi)		476305	42A	Gasket - NPT Flange (Std.)	2	381904
9	Valve - R/V (Std.)	1	456315	42B	Capscrews - NPT Flange (Std.)	16	920532
	Valve - R/V (Nickel Plated)		456300	69	Lockwasher - Clamp	4	909635
10	Gasket - R/V Cover	1	531903	72	O-Ring - Head (FKM) (Std.)	2	702024
12	Cylinder	1	021906		O-Ring - Head (PTFE)		702093
					O-Ring - Head (Buna-N)		702023
14	Vane - Duravane (Std.)	6	091924	73	Gage Plug	2	908198
	Vane - EC Cast Iron		091952	76	Grease Fitting	1	317815
	Vane - EC Laminate		091931	76A	Grease Relief Fitting	1	701992
20	Head - Inboard	1	031910	77	Push Rod	3	121905
20B	Clamp	4	834011	88	Gasket - R/V Cap	1	533908
					Kit - Maintenance		898911

<sup>1</sup> Included in Maintenance Kit

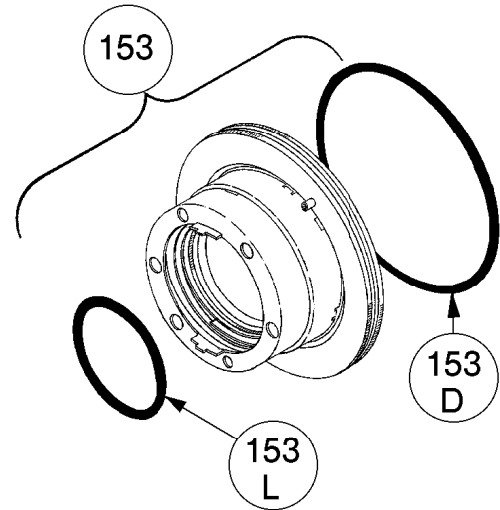
\* See Page 2 for Weld / ANSI flange options.

SS = Stainless Steel.

EC = Extra-Clearance.

**MECHANICAL SEALS**

Ref. No.	Part Name	Parts Per Pump	Part No.
153	<b>Mechanical Seals Complete - Cast Iron Stationary Seat, Carbon Seal Face, FKM O-Rings. (IVCV) (Std.)</b>	2	<sup>1</sup> 336982
	Cast Iron Stationary Seat, PTFE O-Ring, Carbon Seal Face w/ PTFE Seal Ring. (IACT)		331973
	Stainless Steel Stationary Seat, PTFE O-Ring, Carbon Seal Face w/ PTFE Seal Ring. (WACT)		331901
	Cast Iron Stationary Seat, Carbon Seal Face, Buna-N O-Rings. (INCN)		336958
153D	O-Ring - Stationary (FKM)	2	711932
	O-Ring - Stationary (PTFE)		702090
	O-Ring - Stationary (Buna-N)		701945
153L	O-Ring - Rotating (FKM)	2	701967
	Seal Ring - Rotating (PTFE)		**
	O-Ring - Rotating (Buna-N)		701933

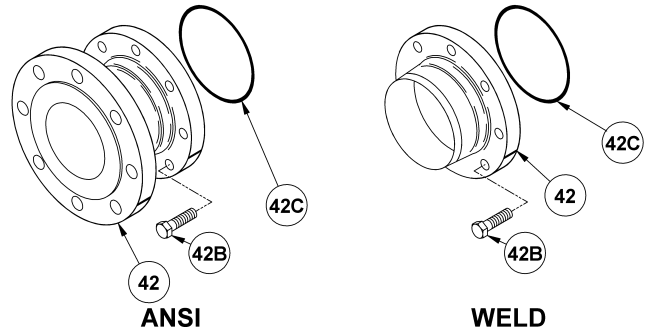


<sup>1</sup> Included in Maintenance Kit

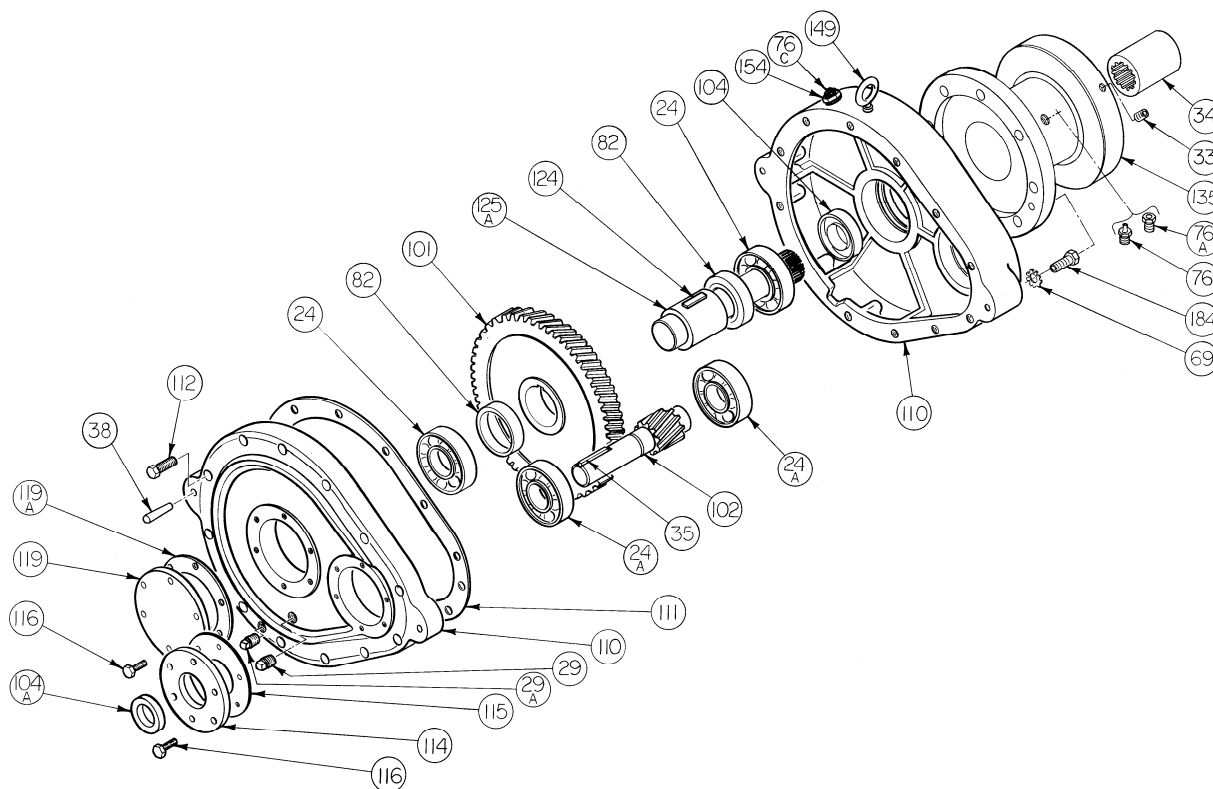
\*\*PTFE Rotating Seal Ring is not available as a separate part.

**FLANGE OPTIONS**

Ref. No.	Part Name	Parts Per Pump	Part No.
42	Flange - 4" Weld	2	651906
	Flange - 4" ANSI		651917
42B	Capscrews - Weld / ANSI Flange	8	920532
42C	O-Ring - Weld/ANSI Flg. (FKM)	2	702238
	O-Ring - Weld/ANSI Flg. (PTFE)		702239
	O-Ring - Weld/ANSI Flg (Buna-N)		702237



# HELICAL GEAR REDUCER MODEL: HRB-GX



Ref. No.	Description	Parts per Pump	Part No.	Ref. No.	Description	Parts per Pump	Part No.
24	Bearing	2	903130	104A	Oil Seal	1	331909
24A	Bearing	2	903150	110	Body/Cover Assembly <sup>1</sup>	1	894011
29	Oil Level Plug	1	908198	111	Gasket – Cover	1	814010
29A	Drain Plug	2	908100	112	Capscrews – Cover	12	920381
33	Set Screw	2	922200	114	Closure Plate - Input	1	*
34	Splined Coupling ( Includes Snap Ring)	1	906082	115	Gasket – Input Closure Plate	1	814011
35	Key – Pinion	1	909177	116	Capscrews – Closure Plate	12	920073
38	Dowel Pin	2	930739	119	Closure Plate – Blind	1	*
69	Lockwasher	6	909630	119A	Gasket – Blind Closure Plate	1	814012
76	Grease Fitting	1	317815	124	Key - Splined Shaft	1	909179
76A	Grease Relief & Vent Fitting	1	701992	125A	Splined Shaft	1	704020
76C	Fill & Vent Plug	1	701988	135	Spool	1	834012
82	Spacer Ring	2	374011	149	Eyebolt	1	922450
101	Gear	1	See Table	154	Bushing	1	908794
102	Pinion & Shaft	1	See Table	184	Capscrew – Spool	6	920540
104	Oil Seal	1	331930	* Non-saleable item – included with Body/Cover Assembly.			

<sup>1</sup> Body/Cover Assembly includes Ref. Nos. 38, 110, 111, 112, 112A, 114, 115 & 116.

## GEAR AND PINION SELECTION TABLE

RATIO	RPM	102 PINION NO.	QTY	101 GEAR NO.	QTY
2.70	640	915148	1	919948	1
3.52	500	915134	1	919934	1
4.36	400	915135	1	919935	1
5.77	300	915136	1	919936	1
7.71	230	915137	1	919937	1
9.18	190	915149	1	919949	1

**NOTE:** Nominal speed is based on 1740 rpm input.

# NOTES



1809 Century Avenue, Grand Rapids, Michigan 49503-1530, U.S.A.  
Telephone: (616) 241-1611 / Fax: (616) 241-3752  
E-Mail: [blackmer@blackmer.com](mailto:blackmer@blackmer.com) / Internet: [www.blackmer.com](http://www.blackmer.com)

Parts List 101-B04  
Page 4 of 4